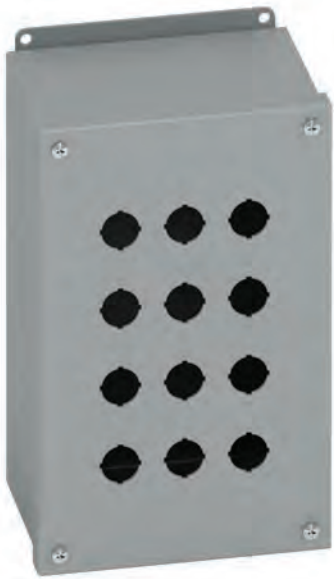


# Operator Enclosures

## Pushbutton Enclosures Type 12 Miniature - 22.5 mm Data and Illustration Sheet

Operator Enclosures



### Application

- Designed to mount miniature 22.5 mm oil-tight pushbuttons, pilot lights and switches
- Protects against circulating dust, falling dirt and dripping non-corrosive liquids

### Standards

- UL 508 listed, Type 12 and Type 13
- CSA C22.2 No.94 certified, Type 12 and Type 13
- Conforms to NEMA standard for Type 12 and Type 13
- Conforms to JIC standard EGP-1-1967

### Finish

- Wash and phosphate undercoat
- ANSI 61 gray polyester powder finish

### Accessories

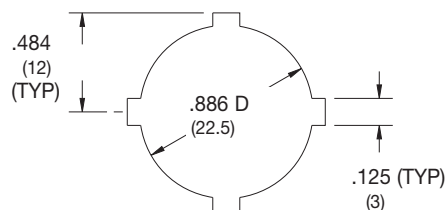
- Hole seals
- Columns and bases
- Touch-up paint
- See accessories section

### Construction

- Enclosure and cover are fabricated from (14) gauge steel
- All continuous welded seams are finished smooth
- Cover is attached with captive screws which thread into sealed well nuts
- Covers more than 2.75 inches wide have concealed, detachable hinges which allow for quick removal and can be hinged on either side
- Cover has a fixed oil-resistant gasket
- Weldnut in body of enclosure for grounding
- Cover is pre-punched with miniature 22.5 mm “4-way” pushbutton holes
- External mounting feet are provided for secure wall mounting

### Discount Schedule: C2

### Subclass: DPO



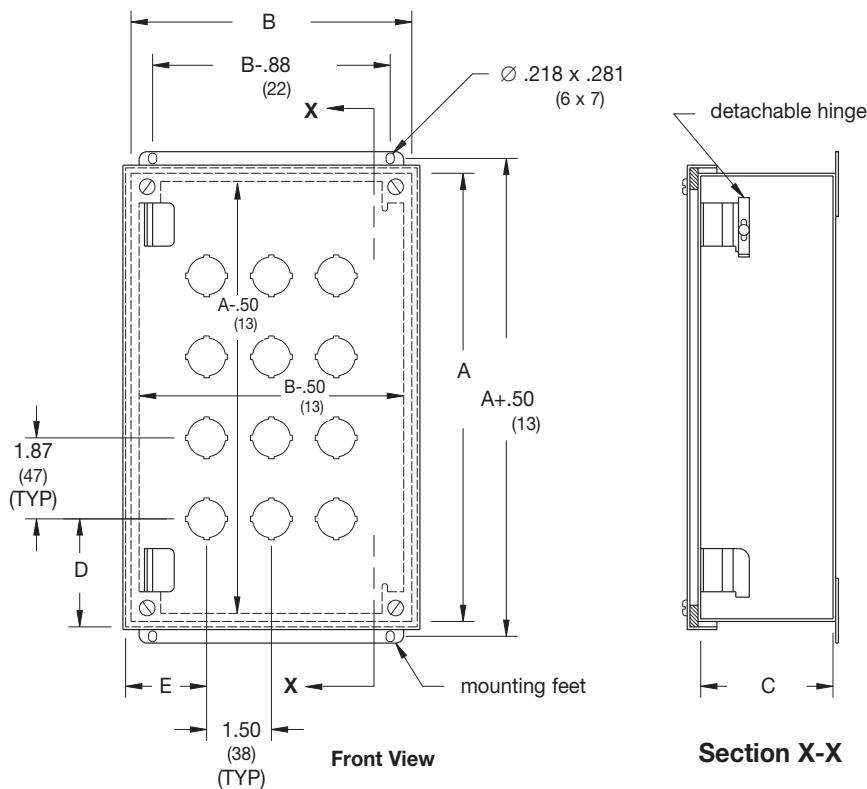
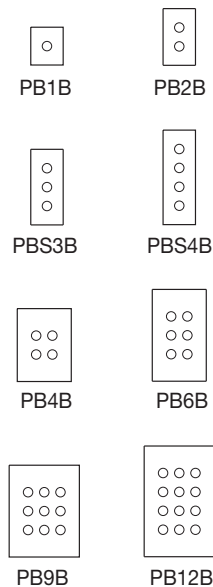
Miniature 4-Way

**Notes:** Cooper B-Line can provide special sizes, finishes and other holes and cutouts, see page 352. Consult the factory for your special requirements.

## Pushbutton Enclosures Type 12 Miniature - 22.5 mm Illustration Sheet and Catalog Number

Enclosure Catalog Number	Holes	Enclosure Size		D		E	
		Height x Width x Depth					
		A x B x C		in.	mm	in.	mm
PB1B*	1	3.25 x 2.75 x 3.50	83 x 70 x 89	1.75	44	1.50	38
PB2B*	2	5.12 x 2.75 x 3.50	130 x 70 x 89	1.75	44	1.50	38
PBS3B*	3	7.00 x 2.75 x 3.50	178 x 70 x 89	1.75	44	1.50	38
PBS4B*	4	8.87 x 2.75 x 3.50	225 x 70 x 89	1.75	44	1.50	38
PB4B	4	6.62 x 5.00 x 3.50	168 x 127 x 89	2.50	64	1.87	47
PB6B	6	8.50 x 5.00 x 4.25	216 x 127 x 108	2.50	64	1.87	47
PB9B	9	8.50 x 6.50 x 4.25	216 x 165 x 108	2.50	64	1.87	47
PB12B	12	10.37 x 6.50 x 4.25	263 x 165 x 108	2.50	64	1.87	47
PB16B	16	10.37 x 8.00 x 4.25	263 x 203 x 108	2.50	64	1.87	47
PB20B	20	12.25 x 8.00 x 4.25	311 x 203 x 108	2.50	64	1.87	47
PB25B	25	12.25 x 9.50 x 4.25	311 x 241 x 108	2.50	64	1.87	47
PB30B	30	14.12 x 9.50 x 4.25	359 x 241 x 108	2.50	64	1.87	47

\* Enclosures are not hinged.



Cover Hole  
Layout

Notes: Dimensions are in inches. Millimeters shown are for reference only. Data subject to change without notice.